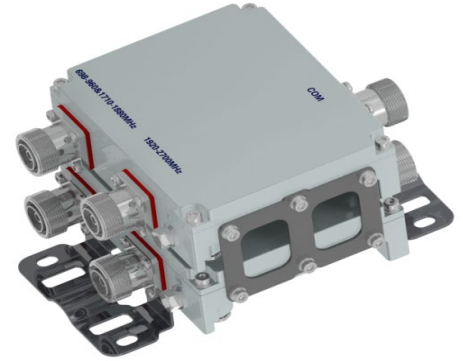


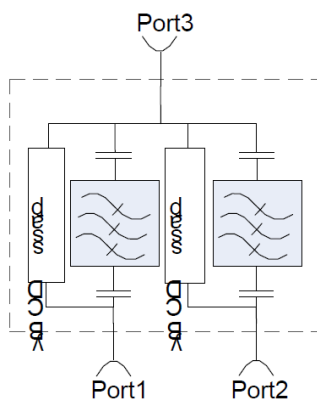
SHENZHEN GRENTech RF Communication Limited exploits independently diplexer products-SGR-HLQ-TW-Dual-VT22-01 Ro which could be applied into 1710-1880/1920-2690MHz. It is good at the most advanced simulation design and modulation technology, which products are small size, compact structure, easy installation and high cost performance ratio. With the development of numerical control precision process and technique of silver-gilt aluminum, GRENTech guarantees the reliability and coherence at batch production, leading the top level at batch production.



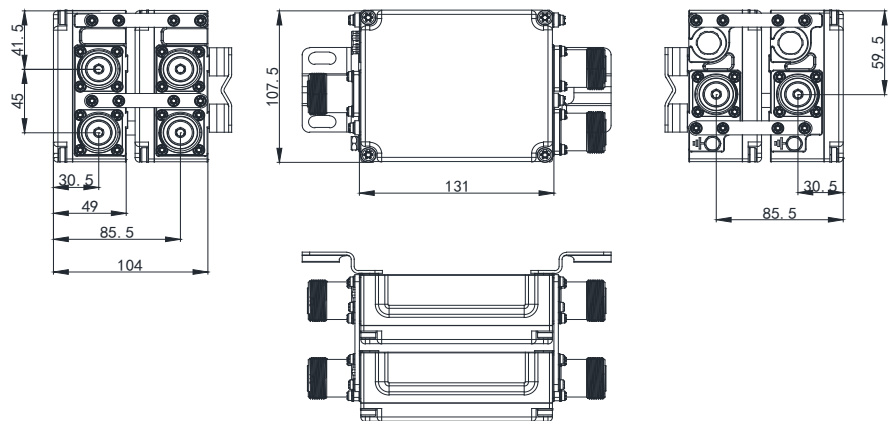
## Features

- Support Integrates Wireless Bands(1710-1880/1920-2690MHz)
- Wall or Pole Mounting
- Low Insertion Loss
- Low Passive Inter Modulation Products
- Easy to install and maintenance
- Suits outdoor installation and IP 66

## Schematic diagram and Outline Drawing



**Schematic diagram**



**Outline Drawing**

**Specification**

<b>Electrical</b>		
Pass Band (MHz)	Port1	1710-1880MHz
	Port2	1920-2690MHz
Insertion loss(dB)	Port 1 ↔ Port 3	≤0.4
	Port 2 ↔ Port 3	≤0.5
Isolation(dB)	Port 1 ↔ Port 2	≥50
VSWR	1.3	
Intermodulation (dBc)	≤ -153 dBc (3rd order; with 2 x 20W)	
Impedance (Ω)	50 Ω	
Input power (W)	≥250 W(avg.), ≤300 W(avg.)	
DC/AISG	By-pass(max.3000mA)	
Lightning protection	IEC61000-4-5 level 4 or 10kA (8/20μs) or 3kA (10/350 μs).	
<b>Environmental</b>		
Operation temperature	-30 °C to +65 °C	
Storage temperature	-40 °C to +85 °C	
Relative humidity	5% - 95%	
Ingress Protection Test	Method IEC 60529:2001, IP66	
Application	Indoor or outdoor	
<b>Mechanical</b>		
Connectors	7/16 DIN Female(Long neck)	
Input port	4	
Output port	2	
Weight (Double Unit)	≤2.6kg(including connectors and mounting bracket)	
Dimensions, LxWxH (mm)	131*107*104(excluding connectors and mounting bracket)	
Mount Type	Poles mounting and wall mounting	
Mounting Pipe Diameter	40–135mm	
Mounting Pipe Hardware	Metal clamps	
Packing	1pc /box	